

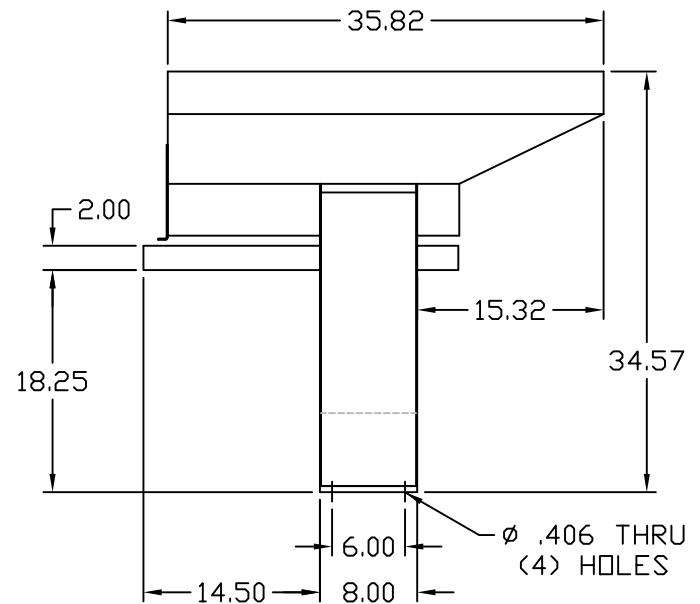
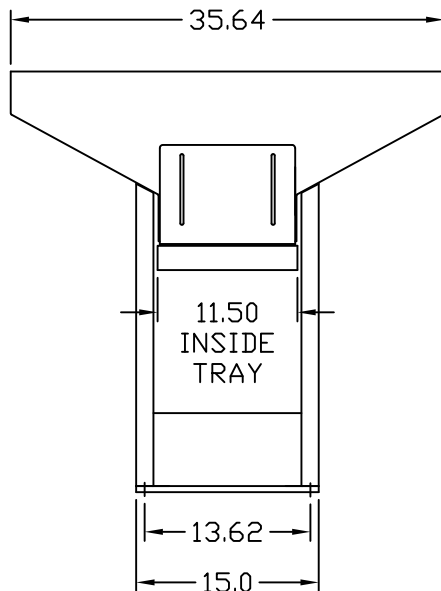
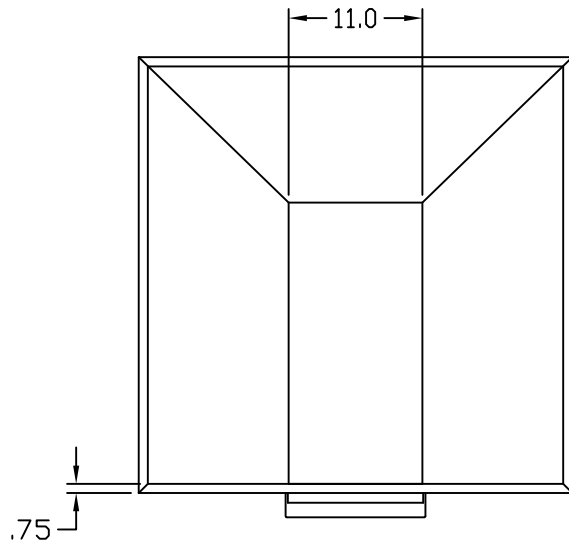


RODIX, INC.

2316 23rd Ave.  
Rockford, IL 61104  
Toll Free (800) 562-1868  
Phone (815) 316-4700  
Fax (815) 316-4701

## 6 CUBIC FOOT STRAIGHT FRONT VIBRATORY HOPPER

Our hoppers are manufactured using the finest materials and components and are delivered beautifully finished, assembled and ready for installation.



**Dimensions are for reference only.**

Cold rolled steel vibratory hoppers are shipped as follows:

- \* 11 ga C.R.S. fully welded construction, Primed Finish
- \* 120 VAC or 240 VAC Coil Installed
- \* Optional: Limit switch with Paddle
- \* Optional: Photoelectric Parts Level Sensor

Stainless steel vibratory hoppers are shipped as follows:

- \* 11 ga. 304 S.S. fully welded construction, Bead Blast Finish
- \* 120 VAC or 240 VAC Coil Installed
- \* Optional: Limit Switch with Paddle
- \* Optional: Photoelectric Parts Level Sensor
- \* Optional: Polished Finish

For special hopper sizes, styles, 316 S.S. or other special requests, please call for a quote.