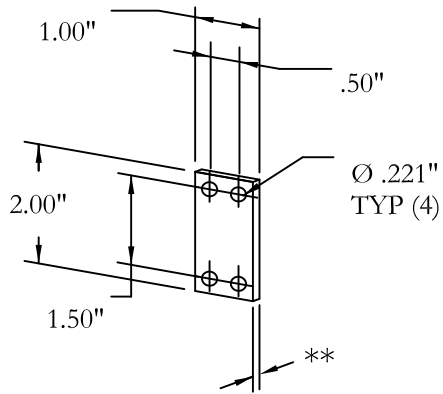


# Mini-Inline 4 Hanger with Fiberglass Springs

## Models: 7-181 (120VAC) & 7-184 (240VAC)

Mini Multi-Hanger Inline Coil  
 120VAC = P/N 6-42-115  
 240VAC = P/N 6-42-128

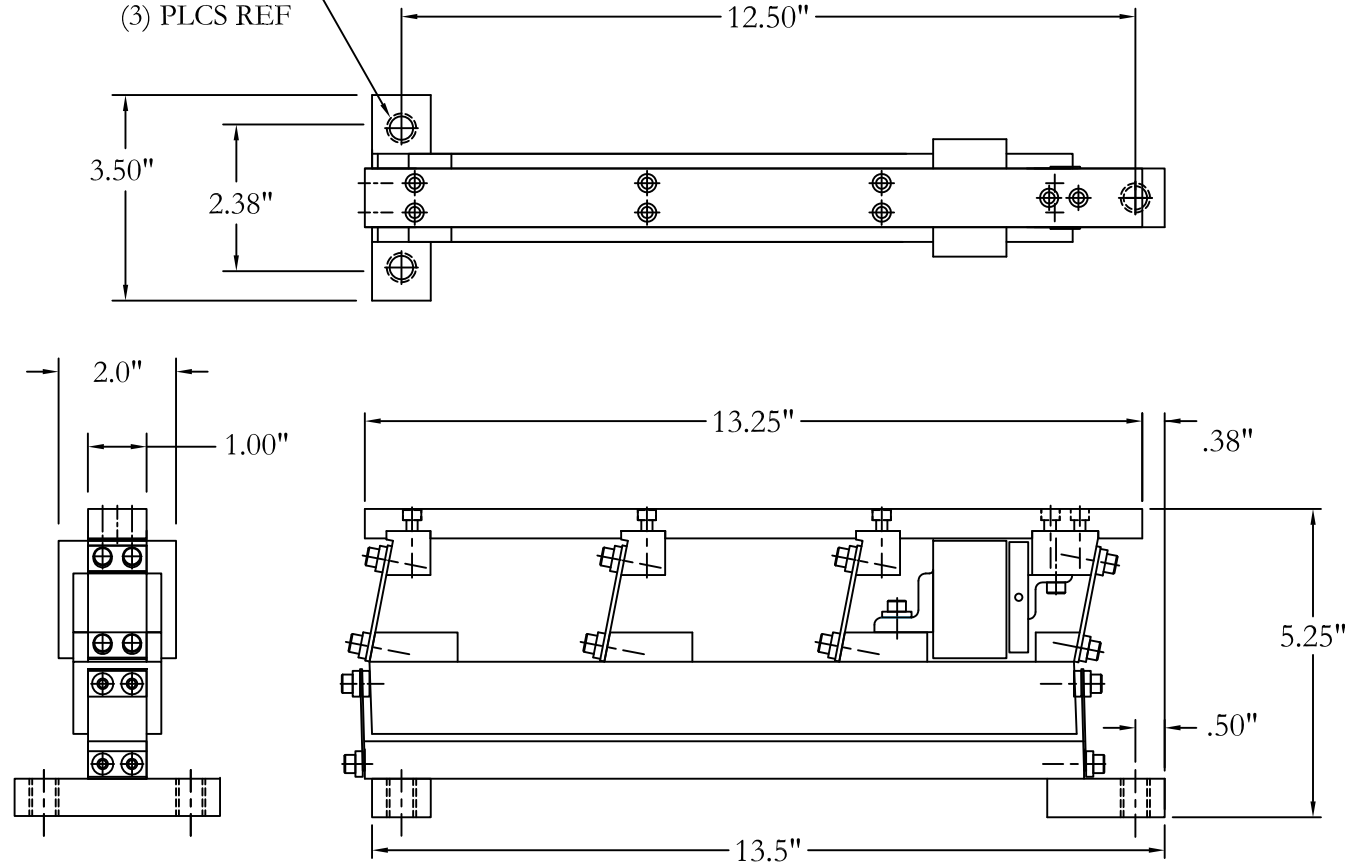


Mini Multi-Hanger Inline Spring  
 \*\* .062" Thk = P/N 90-3-19  
 .093" Thk = P/N 90-3-20

Coils:  
 120 VAC: P/N 6-42-115  
 240 VAC: P/N 6-42-128  
 Jack Screw: P/N 8-65-02  
 Springs:  
 Upper = P/N 90-3-19 = .062" Thk  
 Lower = P/N 90-3-20 = .093" Thk  
 Spacer: P/N 88-3-119

Drawing has no scale

1/2-20 TAP THRU  
 (3) PLCS REF



Models 7-181 & 7-184  
 Max Track Length: 18.75"

Track weight limitations: 8 pounds maximum  
 Height Adjustment Using Jack Screws: 5.875" to 7.25"

Electrical power: 7-181: 120VAC, 50/60 Hz, .5 Amps  
 7-184: 240VAC, 50/60 Hz, .25 Amps  
 Unit Weight 14 lbs



Rodix, Inc. 2316 23rd Ave.  
 Rockford, IL 61104-7337  
 Ph. (800) 562-1868 Fax (815) 316-4701  
 www.rodix.com