

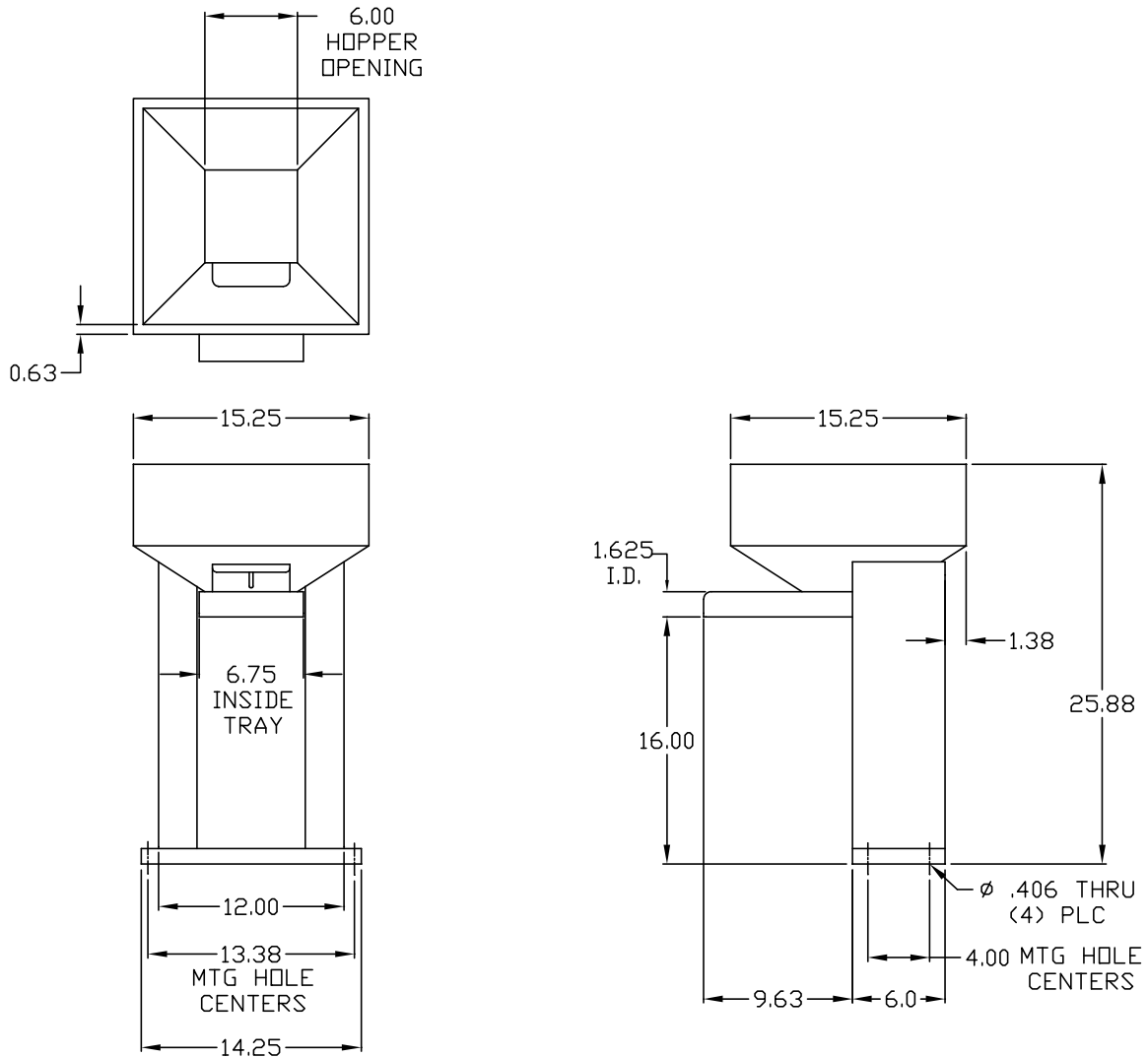
RODIX, INC.



2303 23rd Ave.
Rockford, IL 61104
Toll Free (800) 562-1868
Phone (815) 316-4700
Fax (815) 316-4701

.8 CUBIC FOOT STANDARD FRONT VIBRATORY HOPPER

Our hoppers are manufactured using the finest materials and components and are delivered beautifully finished, assembled and ready for installation.



Dimensions are for reference only.

Cold rolled steel vibratory hoppers are shipped as follows:

- * 11 ga C.R.S. fully welded construction
- * Primed
- * Coil, limit switch with S.S. paddle
- * Operates on 110 volt AC, 60hz, 5 amp

Stainless steel vibratory hoppers are shipped as follows:

- * 11 ga. 304 S.S. fully welded construction
- * Coil, limit switch with S.S. paddle
- * Operates on 110 volt AC, 60hz, 5 amp

All Hoppers are available with 220 Volt Electrical or without limit switch

Please refer to hopper pricing for these and other options

For special hopper sizes, styles, 316 S.S. or other special requests, please call for a quote.