

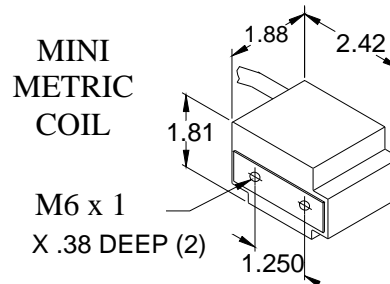
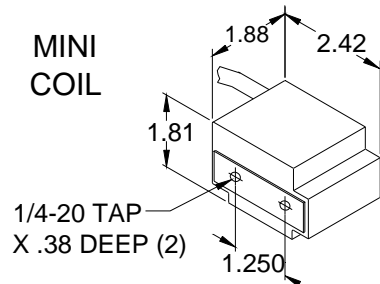


CONTROL PRODUCTS FOR THE INDUSTRY

DRIVE COILS

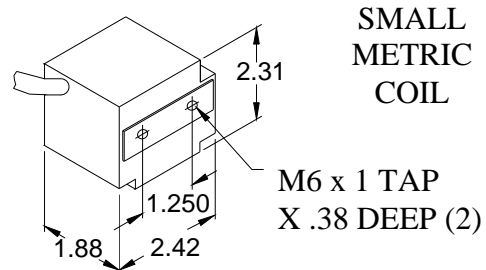
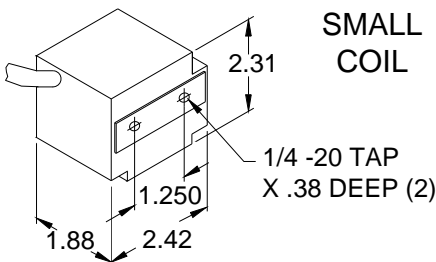
FITS RODIX 6" DRIVE BASES

Part Number	Description
006-042-0093 Mini	120 VAC 60HZ w/16" gray cord
006-042-0102 Mini	120 VAC 60HZ w/ 6' cord & plug
006-042-0098 Mini/Metric	120 VAC 60HZ w/16" gray cord
006-042-0096 Mini	240 VAC 50HZ w/16" yellow cord
006-042-0105 Mini /Metric	240 VAC 50HZ w/16" Har. Cord *



FITS RODIX 8" & 10" DRIVE BASES

Part Number	Description
006-042-0078 Small	120 VAC 60HZ w/21" gray cord
006-042-0104 Small	120 VAC 60HZ w/ 6' cord & plug
006-042-0112 Small/Metric	120 VAC 60HZ w/16" gray cord
006-042-0087 Small	240 VAC 50HZ w/21" yellow cord
006-042-0113 Small/Metric	240 VAC 50HZ w/21" Har. Cord *



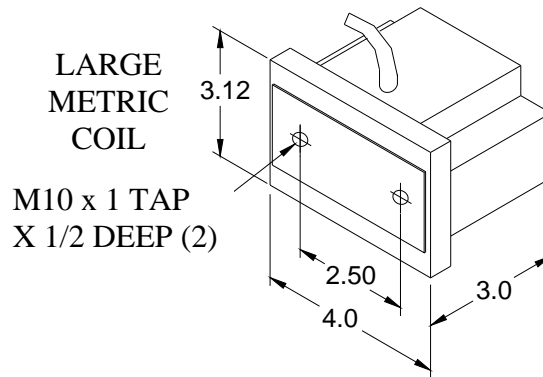
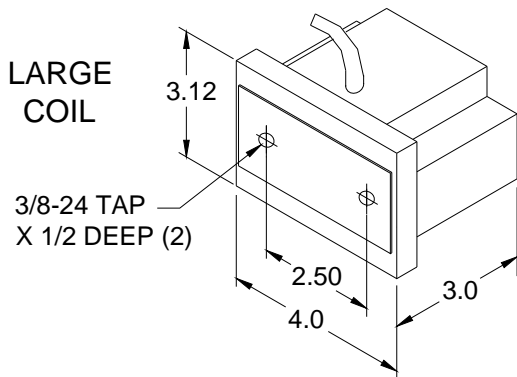
*Har. Cord - Rodix "CE style" coils have a harmonized power cord. These coils may be incorporated into CE marked machines. Because the "CE style" coils are a component part, they don't carry the CE mark, however they do meet the CE requirements.



DRIVE COILS

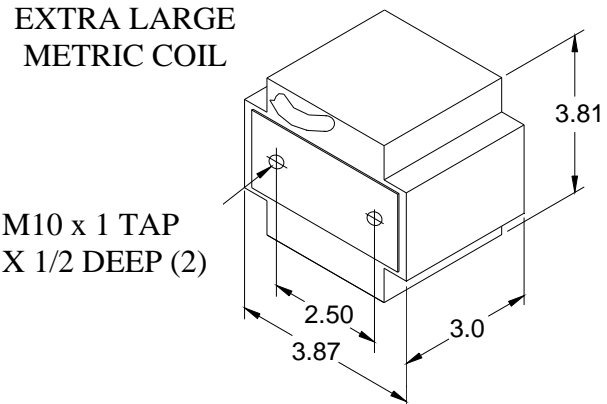
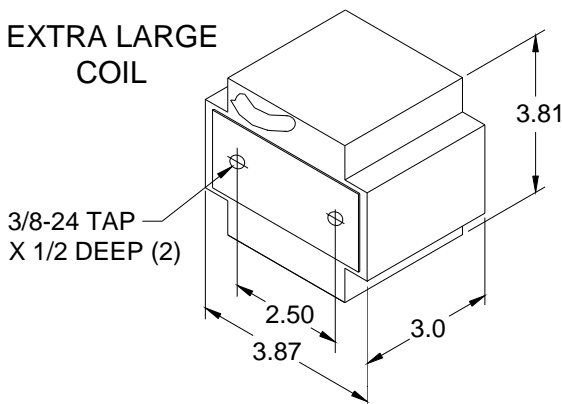
FITS RODIX 12" & 15" DRIVE BASES

Part Number	Description
006-042-0080 Large	120 VAC 60HZ w/36" gray cord
006-042-0120 Large/Metric	120 VAC 60HZ w/36" Har. Cord *
006-042-0088 Large	240 VAC 50HZ w/36" yellow cord
006-042-0122 Large/Metric	240 VAC 50HZ w/36" Har. Cord *



FITS RODIX 18" THRU 36" DRIVE BASES

Part Number	Description
006-042-0081 Ex-Large	120 VAC 60HZ w/48" gray cord
006-042-0121 Ex-Large/Metric	120 VAC 60HZ w/48" Har. Cord *
006-042-0107 Ex-Large (w/3" Spacing)	120 VAC 60HZ w/42" gray cord
006-042-0089 Ex-Large	240 VAC 50HZ w/48" yellow cord
006-042-0123 Ex-Large/Metric	240 VAC 50HZ w/48" Har. Cord *



*Har. Cord - Rodix "CE style" coils have a harmonized power cord. These coils may be incorporated into CE marked machines. Because the "CE style" coils are a component part, they don't carry the CE mark, however they do meet the CE requirements.